

DAB PANEDA 1U DATASHEET



The Paneda 1U hardware is a generic hardware that can host any of the Paneda DAB Head-End products, such as multiplexer and encoders.



SPECIFICATIONS

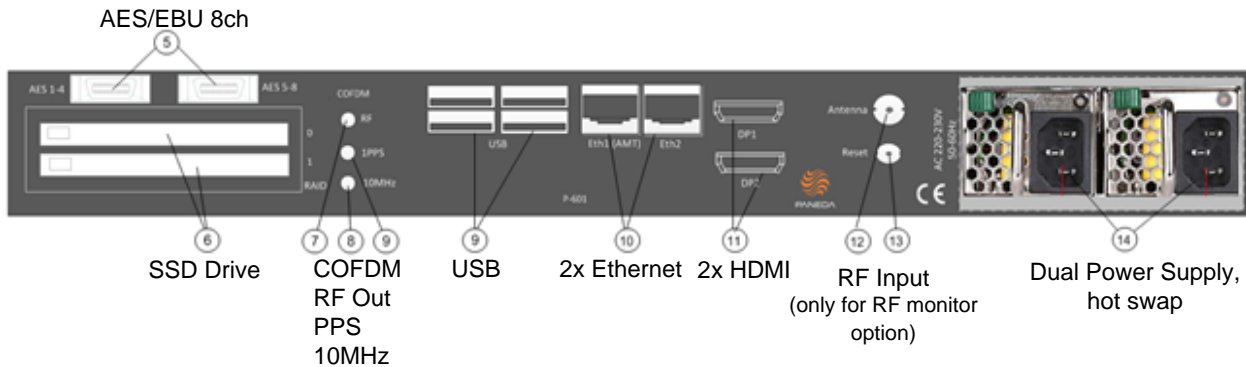


A Complete system in 1HU size

Compliant to the international standard ETS 300 401 (DAB&DAB+)

A Paneda head-end system contains DAB multiplexer, DAB/DAB+ Encoder and Management system.

The system can be configured as an all-in-one solution with multiplexer, encoder, datasever and management system installed in one single hardware, or as separate units if preferred. The Paneda DAB system is designed to be modular and separated internally for highest interoperability.



DIGITAL INPUTS		EXTERNAL SYNCHRONIZATION INPUT	
Input type	AES/EBU or LiveWire/AES67	Reference frequency	NTP
Connector	XLR female	ENVIRONMENT AND MECHANICAL DATA	
ANALOGUE INPUTS (option)		Temperature range	+5 to +50 °C
Input type	Balanced	Housing	19" cabinet, 1 height units
Input impedance	> 10 kOhm	Depth	250mm
Frequency response	20Hz–20KHz 0-(-0,3dB) @ fs=48 kHz	Weight	3kg
Headroom for clipping	18 dB for 0dBu input (sw defined)	Dual POWER SUPPLY	
THD + noise	< -97 dB @ 1kHz at -2dBfs	Mains voltage	100-240 VAC, 12VDC as option
Crosstalk	1 kHz at 24 dBu: < -100 dB	Frequency	48-64 Hz
Dynamic range	>104 dB (A-weighted)	Power consumption	Approx. 30W
A/D converter resolution	24 bits	STANDARDS	
Connectors	XLR female	DAB+ (ETS 102 563)	
FRONT PANEL DISPLAY		DAB (ISO/IEC 13818-3)	
Type	Graphical OLED	ET1 (ETS 300 797)	
Status showing	State, Alarms&IP settings	EDI	
OUTPUTS		OTHER	
ET1 over IP		SSD disc built in	
EDI		Dual hot swap power supplies	
E1 G70x (ext converter)		2x Intel LM8xxx Gigabit Net	



PANEDA NORWAY: +47 06741 info@paneda.no

PANEDA SWEDEN: +46 13 150054 info@paneda.se

PANEDA®